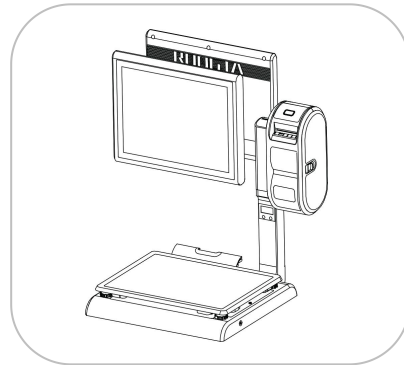
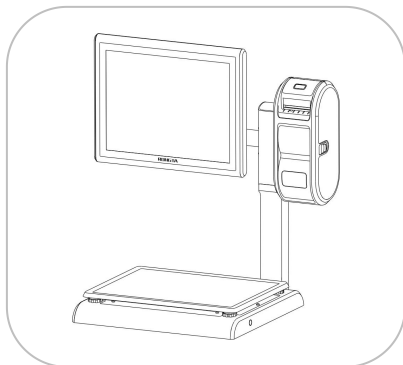
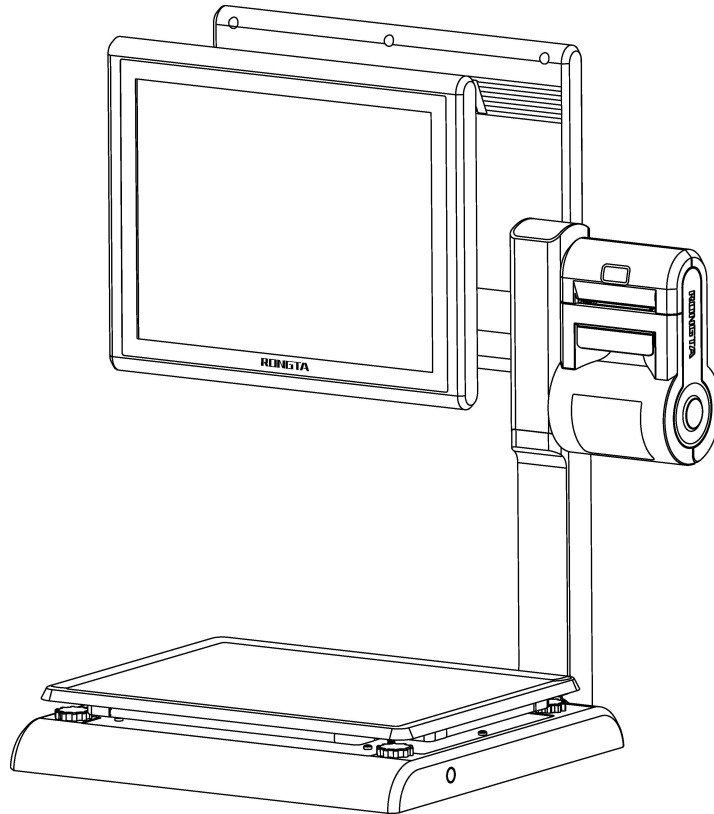


## AURORA S1 \ S1L PC SCALE



---

---

# Contents

Introduction.....	3
<b>1. Specification.....</b>	<b>4</b>
<b>2. Standard configuration.....</b>	<b>5</b>
2.1 AURORA S1.....	5
2.2 AURORA S1L(Single screen) .....	5
2.3 AURORA S1L(Double screen) .....	5
<b>3. PC Scale installation steps.....</b>	<b>6</b>
3.1 Installation of (AURORA S1) .....	6
3.2 Installation of (AURORA S1L) .....	6
3.3 The installation of the thermal receipt paper(AURORA S1).....	7
3.4 The installation of the thermal label paper(AURORA S1L).....	8
<b>4. Overall Appearance.....</b>	<b>9</b>
4.1 AURORA S1.....	9
4.2 AURORA S1L (Single screen) .....	10
4.3 AURORA S1L (Double screen) .....	11
<b>5. Common easy-to -use operations.....</b>	<b>12</b>
5.1 Switch on and off.....	12
5.2 Weighing and pricing.....	12
5.2.1 Pricing and settlement.....	12
5.2.2 Zero.....	13
5.2.3 Tare.....	13
5.2.4 Communication interface.....	13
5.3 Weighing and pricing test software version.....	13
<b>6. Common operation buttons.....</b>	<b>14</b>
<b>7. Troubleshooting.....</b>	<b>14</b>
7.1 Crash or fail to start.....	14
7.2 Display does not work normally.....	14
7.3 Touch screen does not work normally.....	15
7.4 Unable to print.....	15
7.5 Unable to weigh (please contact the After-sales Service).....	15
<b>8. Appendix.....</b>	<b>16</b>
Comparison Table of Gravitational Acceleration Corrected Value.....	16



---

## Introduction

Thank you for choosing our PC Scale. In order to operate AURORA S1 \ S1L correctly, User manual is detailed in function and operation method of AURORA S1 \ S1L , which help user with doubt quickly when come up against mechanical fault .

Rongta research, develop, produce and sale the PC Scale independently, which is high-performance PC Scale.

AURORA S1 \ S1L is the best choice for user in label printing business line with fashion appearance, power function and high durable, which make AURORA S1 \ S1L more popular in store ,fresh food supermarket ,farmers market and so on.

**Note :** this product information are subject to change without prior notice.

This information is for reference only. In addition to China's existing laws and regulations, the company does not undertake any due to the direct or indirect losses caused by use of this information.

The company reserves the final interpretation.

# 1. Specification

- The weighing range and accuracy:

Max weight:15kg

Min weight:40g

0kg to 6kg \* 0.002kg (e=2g)

6kg to 15kg \* 0.005kg (e=5g)

- The accuracy grade:  $\textcircled{\text{III}}$

- Resolution:

Input sensitivity: greater than or equal to 50u V/D

Zero-point adjustment range:  $\pm 60\text{MV}$

Temperature coefficient:  $\pm 0.0012\%\text{CTYP}$

[Zero]  $\pm(0.2\mu\text{V}+0.0008\%$  of Dead Load)/ $^{\circ}\text{CTYP}$

Nonlinearity: 0.01%F.S.

A/D resolution: Max 30000 resolution

Display resolution: 1/3000

A/D conversion rate: 10 times/second

- Regular:

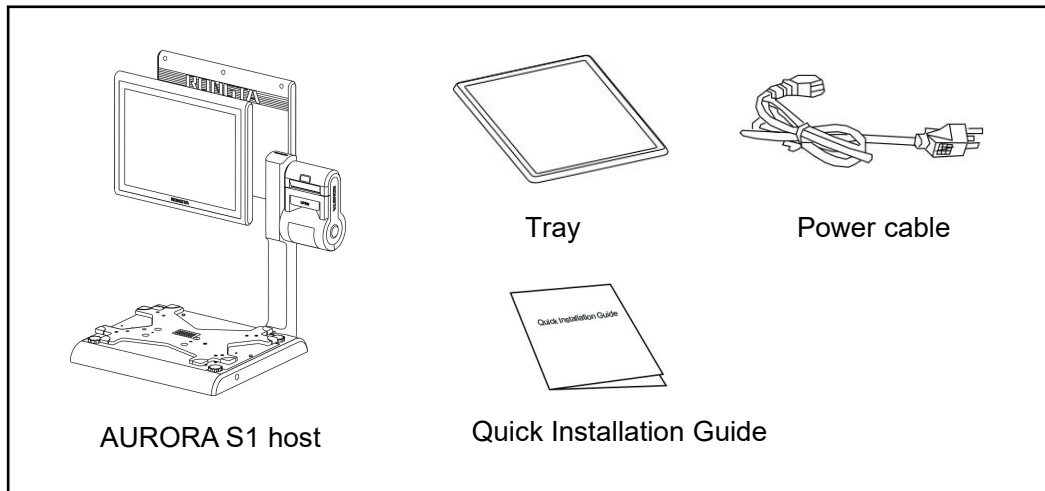
Power supply: AC100V~240V, 50/60Hz

Power consumption: Standby 25W, line printing 45W

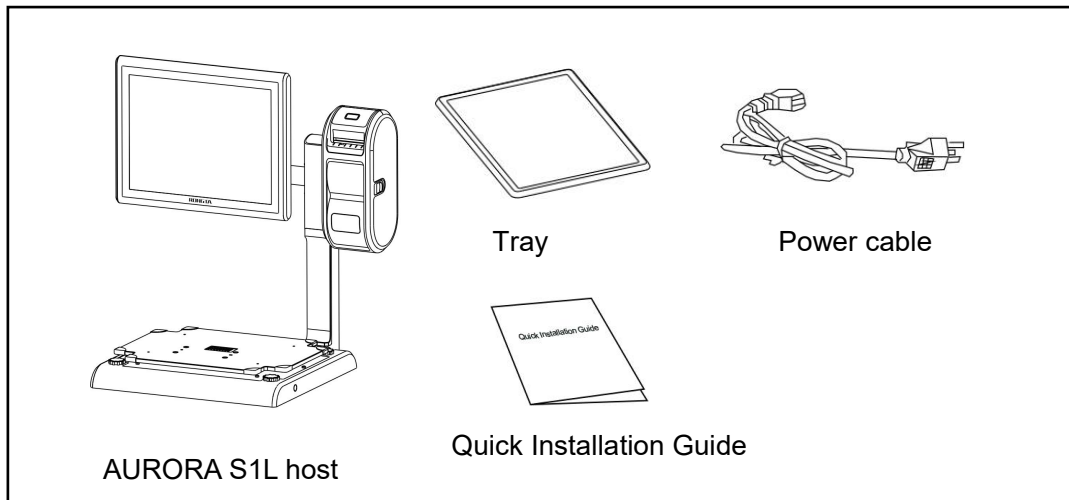
Operating temperature:  $0^{\circ}\text{C}\sim 40^{\circ}\text{C}$

## 2. Standard configuration

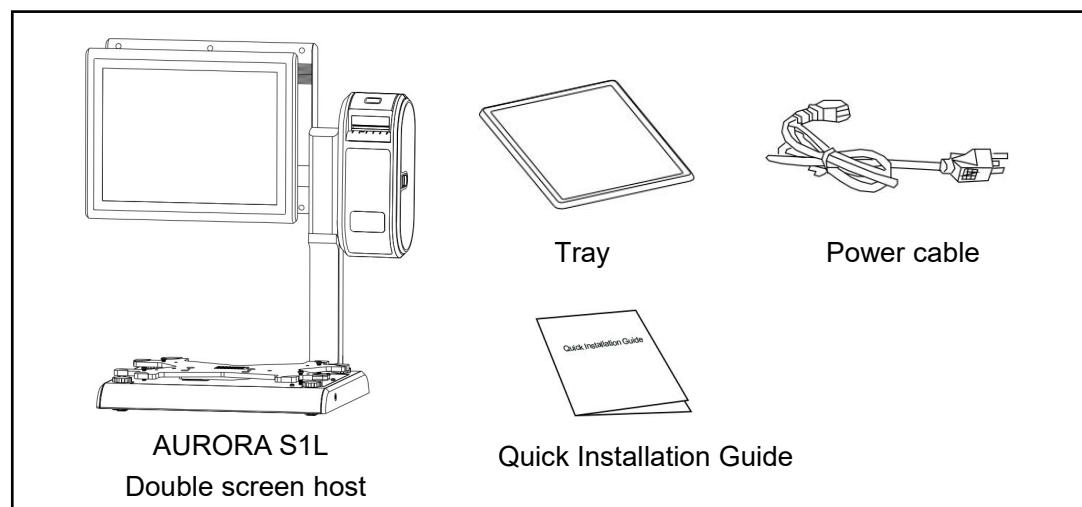
### 2.1 AURORA S1



### 2.2 AURORA S1L(Single screen)



### 2.3 AURORA S1L(Double screen)

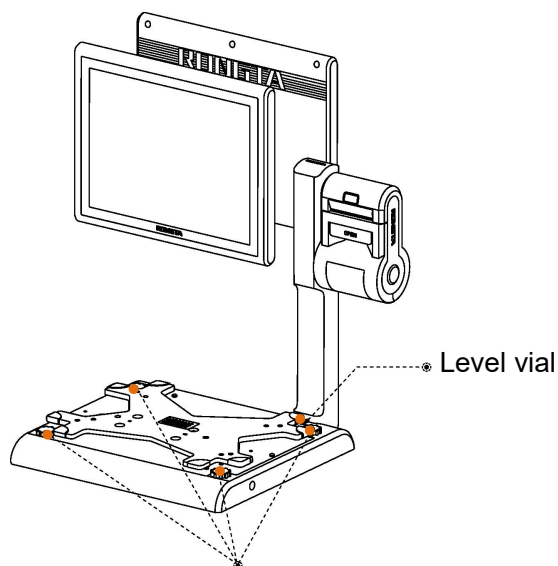


☺ The illustrations and text used in this Manual may differ from the actual product.

### 3. PC Scale installation steps

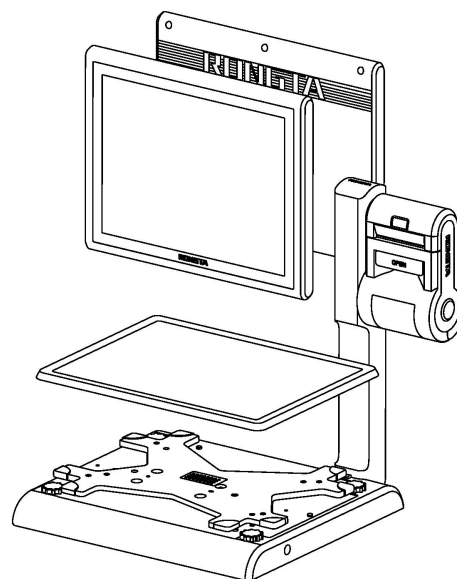
#### 3.1 Installation of (AURORA S1)

1. Place the scale on a flat surface and check if the level vial is in the small circle before use. If not, adjust the four knobs to make the level vial in the small circle.



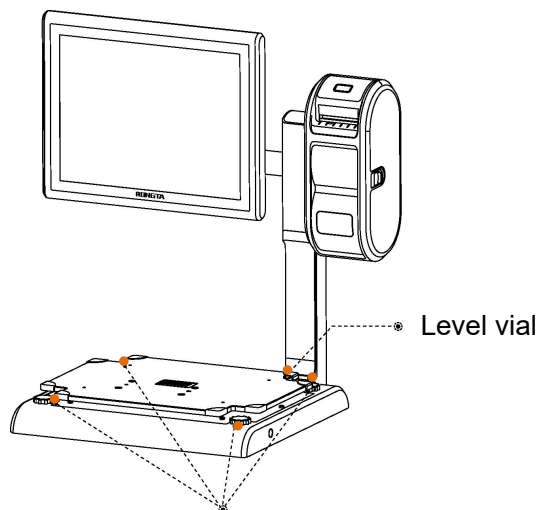
Level the scale by adjusting the 4 knobs.

2. Place the scale pan horizontally and stably on the scale body.



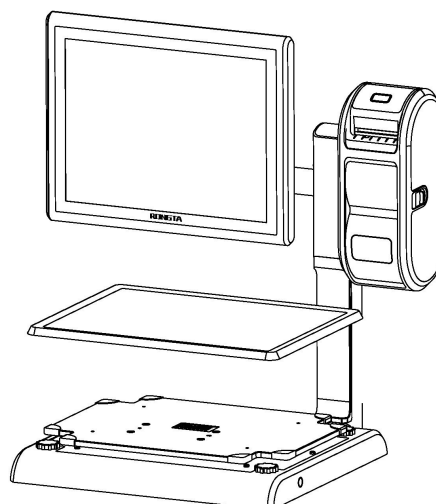
#### 3.2 Installation of (AURORA S1L)

1. Place the scale on a flat surface and check if the level vial is in the small circle before use. If not, adjust the four knobs to make the level vial in the small circle.



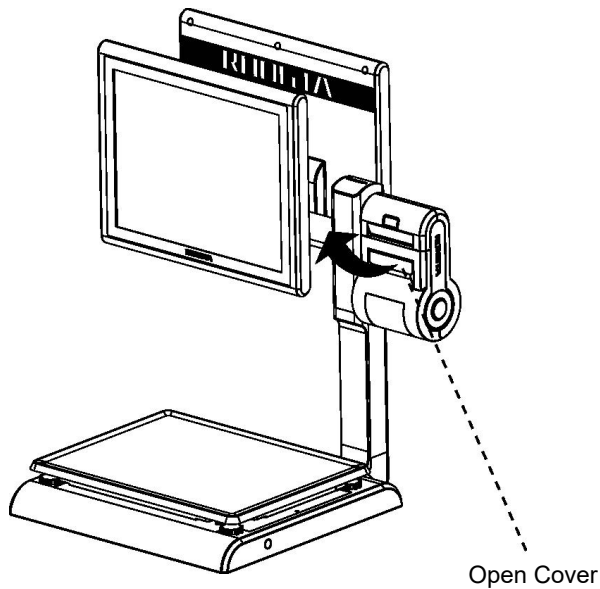
Level the scale by adjusting the 4 knobs.

2. Place the scale pan horizontally and stably on the scale body.

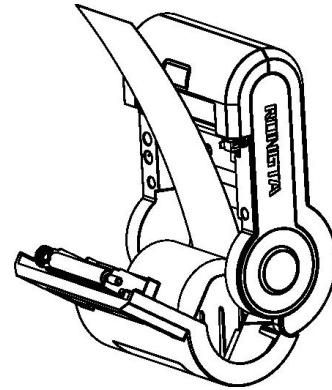


### 3.3 The installation of the thermal receipt paper(AURORA S1)

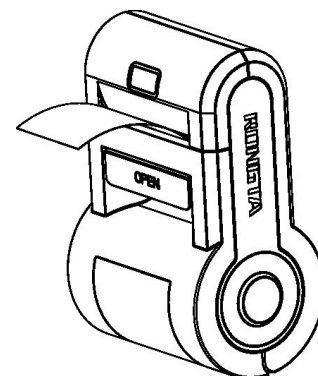
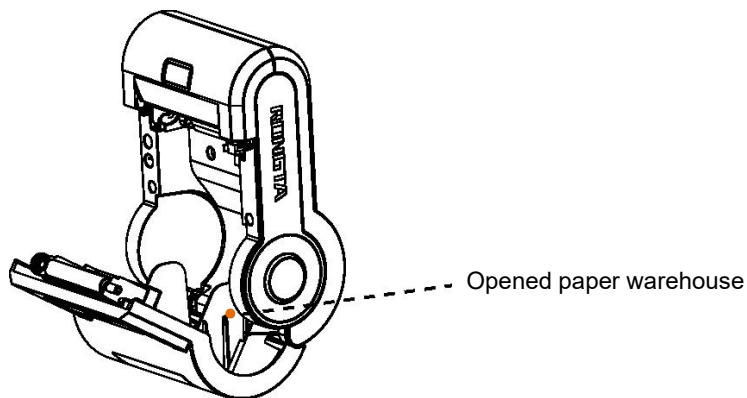
1.Pull the Open Cover to open the paper warehouse.



2.Put the paper roll into the paper warehouse as shown in the figure.

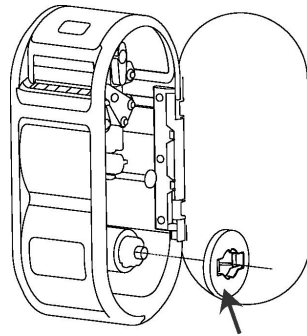


3.Close the cover of the printer, press upward gently until the cover closed with a "click" sound.



### 3.4 The installation of the thermal label paper(AURORA S1L)

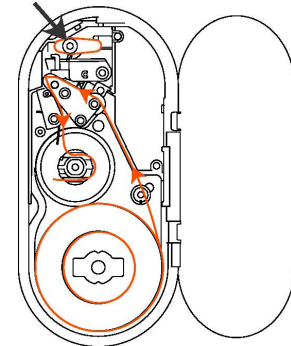
1. Open the side cover, remove the paper roll press block



Paper roll press block

2. Unscrew the head piece pressure lever and load paper as shown in the figure.

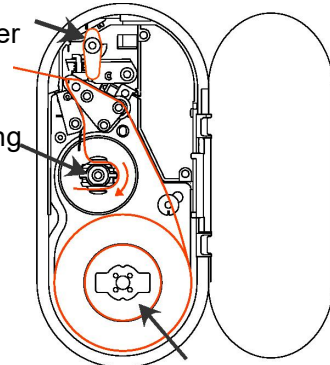
Head piece pressure lever



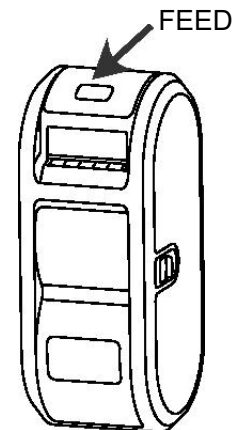
3. Close the paper roll press block, tighten the paper winding shaft, screw the head piece pressure lever, close the side cover of printer, then long press FEED button to roll the paper

Head piece pressure lever

Paper winding shaft

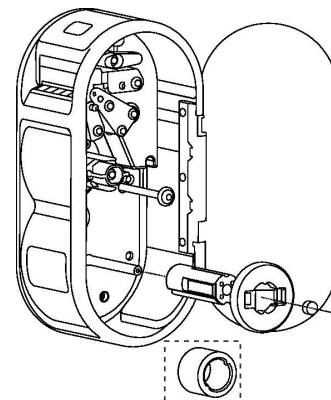
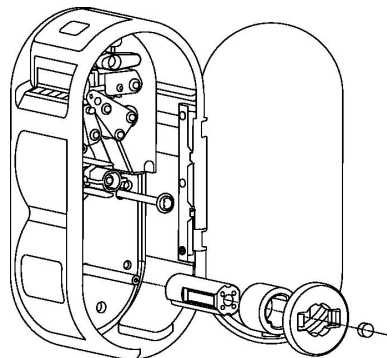


Paper roll press block



☺ Use of small paper roll:

Unscrew the paper shaft assembly as shown in the figure below, remove the two outermost paper roll shafts, and install the assembly back to the scale.

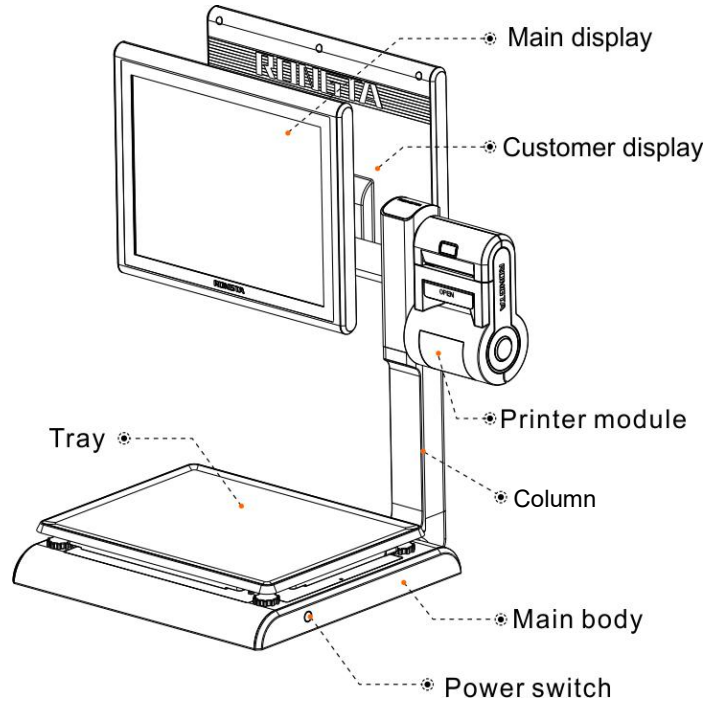




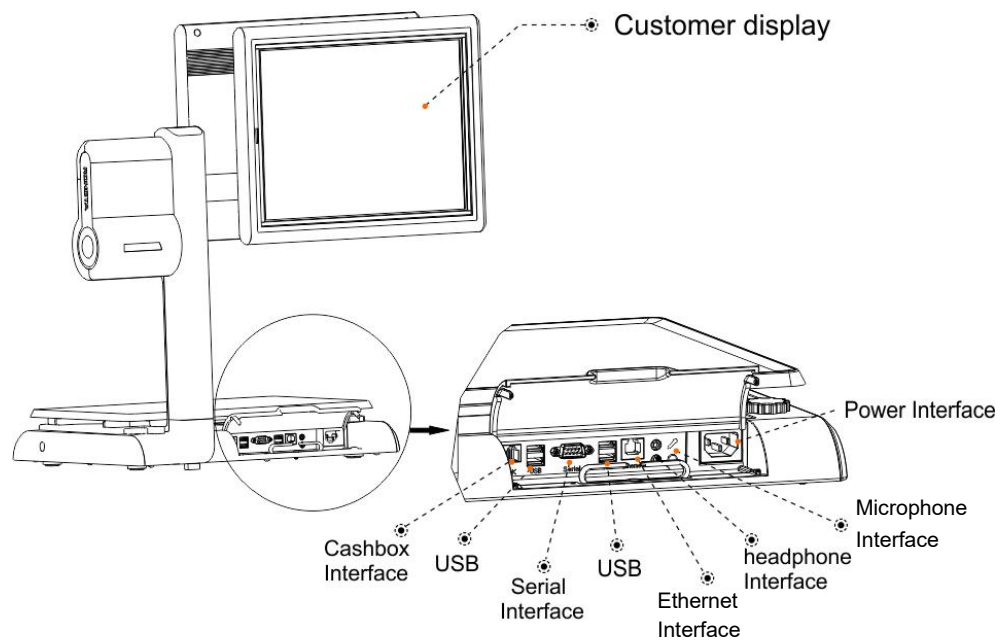
## 4. Overall Appearance

### 4.1 AURORA S1

#### ■ Front view

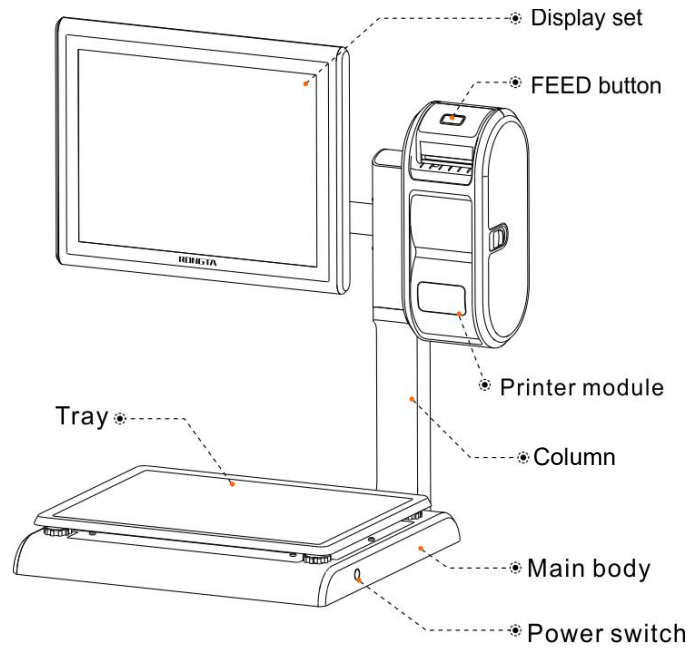


#### ■ Rear view

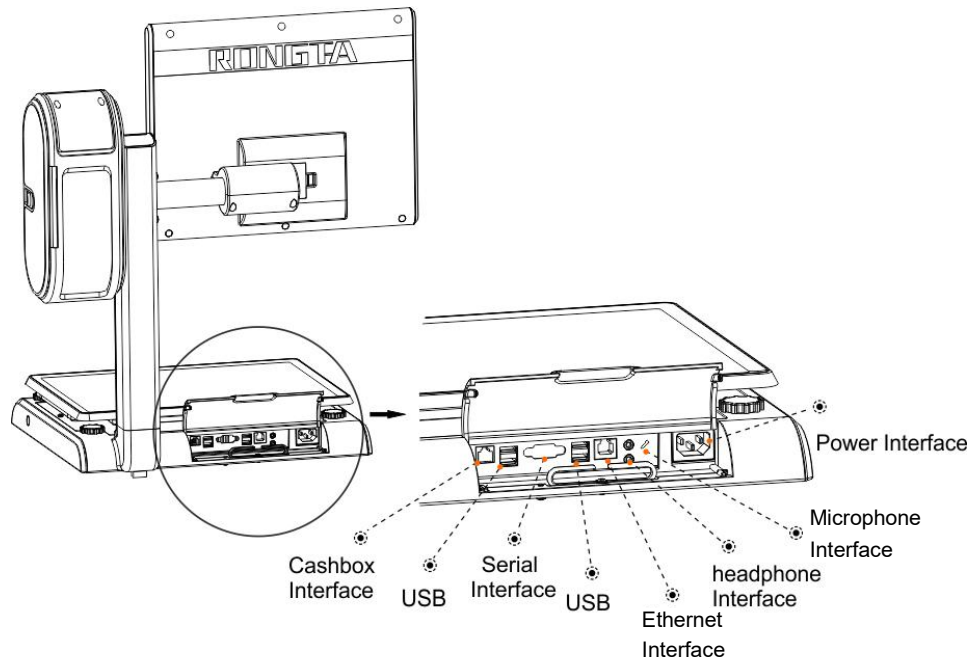


## 4.2 AURORA S1L (Single screen)

### ■ Front view

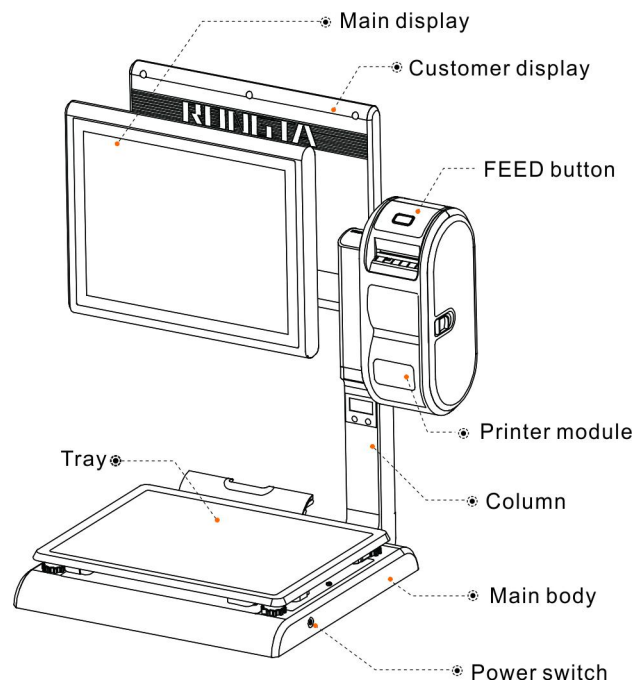


### ■ Rear view

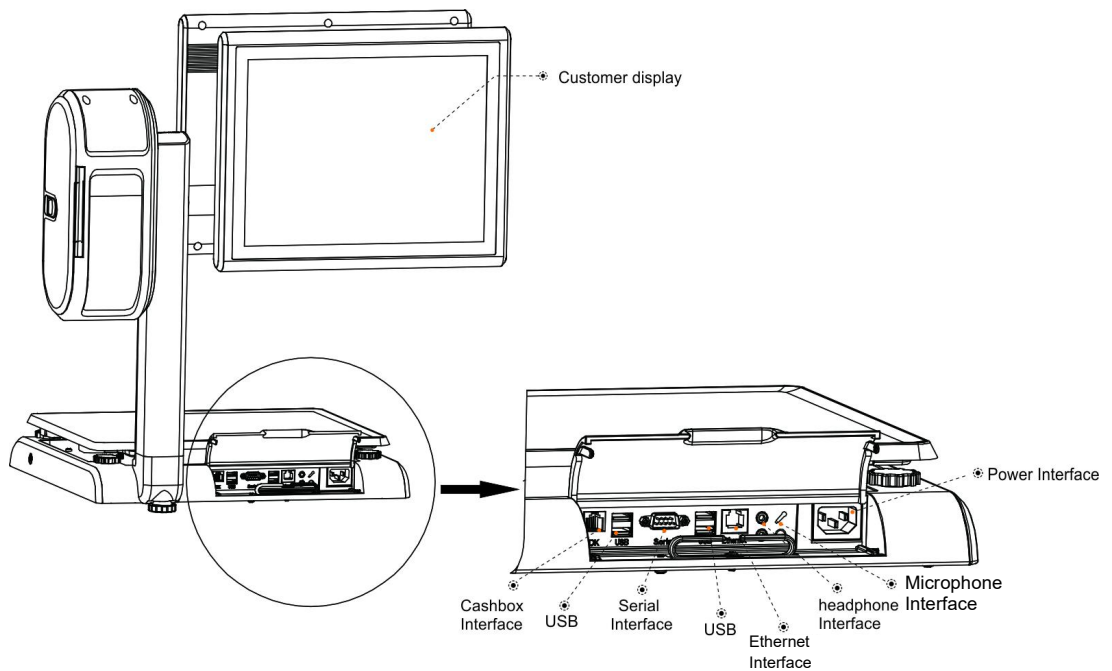


## 4.3 AURORA S1L (Double screen)

### ■ Front view



### ■ Rear view



## 5. Common easy-to-use operations

### 5.1 Switch on and off

#### Hard disk switch:

After connecting power supply, long press the black POWER button on the front of PC Scale for 3s until the display is turned on.

After entering the normal operation screen, the program will automatically run and perform self-test counting to verify whether the CRC is correct. If verification fails, the scale cannot work normally.

**⚠ Attention: under self-test situation, please do not press any button and make sure nothing is on the scale, otherwise it can't work normally.**

**Soft disk switch on/off:** Touch [Power Off] in the system or Please switch on the power button, then press the button [ON/OFF] for 3 seconds.

### 5.2 Weighing and pricing

The weighing software screen is shown in the figure, including weighing, unit price input field, print, Zero, tare ("---" means no tare) and other functions. Touch **[About]** to view AD board program version and CRC32 check code.

The screenshot shows the weighing software interface with the following elements:

- Top status bar: Max 6/15 kg, Min 40 g, e=d= 2/5 g, n=3000, T=-5.998 kg
- Left side: Radio buttons for 'Net' (selected) and 'Stable'. Labels 'Weight' and 'Price:' are next to the input fields.
- Weight input field: A grey box containing '-----' followed by 'kg'.
- Price input field: A white box containing '-----' followed by '€/kg'.
- Total field: A grey box containing '0.00' followed by '€'.
- Right side: 'Zero' and 'Tare' buttons, and a larger 'Print' button.
- Bottom left: 'Version V1.1.1 CRC:9B69F092'
- Bottom right: 'About' button

#### 5.2.1 Pricing and settlement

**Example:** sale apple 2kg. Suppose the the unit price is €10.00/kg.

**Operation procedure:** press the button **[Zero]** (if the screen already shows zero, the action can be slipped)  $\Rightarrow$  put 2kg apple on the scale tray  $\Rightarrow$  Input unit price in the corresponding field on the screen, and the total price will be automatically calculated according to the current unit price.  $\Rightarrow$  press button **[Print]** Print receipt or label.

---

## 5.2.2 Zero

When there are (no) items on the scale tray, press [ZERO] button to return the weight on the screen to zero.

Before weighing items, if there are no items on the scale tray, but the "Zero" sign is off, At this time, you can press [**Zero**] button to return the weight to zero.

 (Note: The zeroing range is -298g to 298g)

## 5.2.3 Tare

The operation is just suitable for the goods need to be packed, e.g. egg, beans etc..suitable for package and good separated.

**Example:** sale one box of apple. Suppose the apple's unit price is € 10.0/kg, and the weight is 10.0kg.

**Operation procedure:** put a container or package box supposed 400g on the scale ⇒ press the button [**Tare**], Tare bar shows current tare weight ⇒ put on one box of apple ⇒ input Price10, press button [**Print**] Print receipt or label ⇒ after weighting, take off the products and then press the button [**Tare**] again for elimination

## 5.2.4 Communication interface

The factory communication interface of the product is fixed at COM2 and cannot be changed through other software. Communicating through other interfaces is also not supported.

## 5.3 Weighing and pricing test software version

The weighing and pricing test software versions provided by our company are:

AD Board Version V1.118 (AD board program.) CRC: FE42432F

Version(Screen weighing display software): V1.1.1 CRC: 9B69F092

If the CRC32 check code of screen weighing display software is not 9B69F092, the software fails and the scale cannot weigh normally. The AD board program is the same.

## 6. Common operation buttons

- **Zero:** Press the button [Zero] to return the weight on screen to zero (if the screen already shows zero, the action can be slipped)
- **Tare:** Place tare items ⇨ press **[Tare]** button ⇨ place weighing items ⇨ Press the corresponding product button ⇨ Press **[Tare]** button again to clear the tare after printing.
- **Print** :receipt as shown in the figure.



Rongta Ticket	
Time:08.21.2018 17:16	
-----	
Weight:	N 0.202 kg
Tare:	T 0.070 kg
Price:	€9.00/kg
Total:	€1.82



Rongta Ticket	
Time:08.21.2018 12:46	
-----	
Weight:	0.270 kg
Price:	€72.00/kg
Total:	€19.44

 **Note: When the system crashes due to wrong operation, restart the PC Scale.**

## 7. Troubleshooting

### 7.1 Crash or fail to start

Reasons: a.Power board error.  
b.Power line and interface error.  
c.Main board error.

Solutions: a.Re-plug the power line.  
b.Press the [Power] button for 3 seconds. If the printer indicator is off, it means the power board is abnormal; otherwise, the main board is abnormal.

### 7.2 Display does not work normally

Reasons: a. Screen line error.  
b. Poor contact of screen line connector.  
c. The display screen is damaged, or the main board is damaged.

Solutions: a. Reconnect the screen line aerial connector and confirm that the line sequence is correct.  
b. Re-plug the screen line connector.  
c. If it still fails, the screen or the main board may be damaged.



---

### 7.3 Touch screen does not work normally

Reasons: a. Display cable error.  
b. Display driver error.

Solutions: a. Reconnect the screen line aerial connector and confirm that the line sequence is correct.  
b. Reinstall the correct driver.

### 7.4 Unable to print

Reasons:

- a. Print wire error.
- b. The driver is not installed correctly.
- c. Print board error.

Solutions:

- a.If the printer indicator is off after turned on, it means the wires are defective.
- b.Reinstall the correct driver.
- c.Press and hold FEED button to print the self-test page.

### 7.5 Unable to weigh (please contact the After-sales Service)

Reasons: The main board or AD board fails, sensor fails, or CRC check fails.

Solutions : Please contact with us, we will provide you new version AD boardprogram or weighing software.

## 8. Appendix

### Comparison Table of Gravitational Acceleration Corrected Value

COUNTRY	CITY	G(m/sec <sup>2</sup> )	COUNTRY	CITY	G(m/sec <sup>2</sup> )
Greece	Athens	9.800	Scotland	Glasgow	9.816
South Africa	Cape town	9.796	Spain	Madrid	9.800
Netherlands	Amsterdam	9.813	Singapore	Singapore	9.781
Norway	Oslo	9.815	Argentina	Buenos Aires	9.797
New Zealand	Auckland,NZ	9.799	United Kingdom	London,Greenwich	9.812
New Zealand	Wellington,NZ	9.801	Australia	Melbourne	9.800
Taiwan	Taichung	9.789	Australia	Sydney	9.797
Taiwan	Taiwan	9.788	Italy	Milano	9.806
Taiwan	Taipei	9.790	Italy	Rome	9.803
Denmark	Copenhagen	9.815	India	Calcutta	9.788
Germany	Frankfurt	9.810	Japan	Tokyo	9.798
Mexico	Mexico City	9.779	Canada	Ottawa	9.806
U.S.A	Birmingham	9.813	Canada	Vancouver,BC	9.809
U.S.A	Chicago	9.803	Cuba	Havana	9.788
U.S.A	Los Angles	9.796	Kuwait	Kuwait	9.795
U.S.A	New York	9.802	Cyprus	Nicosia	9.797
U.S.A	San Francisco	9.800	Thailand	Bangkok	9.783
U.S.A	Washington,DC	9.784	Portugal	Lisbon	9.801
Belgium	Brussels	9.811	France	Paris	9.809
Brazil	Rio de Janeiro	9.786	Finland	Helsinki	9.819
Sweden	Stockholm	9.818	Philippines	Manila	9.784
Switzerland	Zurich	9.807			

- It should be handled by person in our company or dealers if want to adjust acceleration of gravity





**Rongta Technology (Xiamen) Group Co., Ltd.**

**ADD: No. 889 Xinmin Avenue, Tongan District, Xiamen, China**

**WEB: [www.rongtatech.com](http://www.rongtatech.com)**

**TEL: 0086-592-5666129    FAX: 0086-592-5659169**

